

Application

Designed to offer protection for oil-tight pushbuttons, switches, and pilot lights from dust, water, dirt and oil. For installation information, consult our installation manual at www.saginawcontrol.com.

Construction

- 0.063" carbon steel.
- Continuously welded seams.
- Captivated cover screws thread into sealed wells.
- Four-way pushbutton holes accept all brands of oil-tight pushbuttons, switches and pilot lights. Hole diameter is 1.20" (30.5 mm).
- Immediate removal of cover is permitted.
- Pour in place oil and water resistant gasket.
- Welded mounting provision top and bottom of back.

Finish

ANSI-61 gray powder coated inside and out.

IS2 Industry Standards
NEMA Type 4, 12 & Type 13
UL Listed Type 4 & 12
CSA Type 4 & 12
IEC 60529 IP66

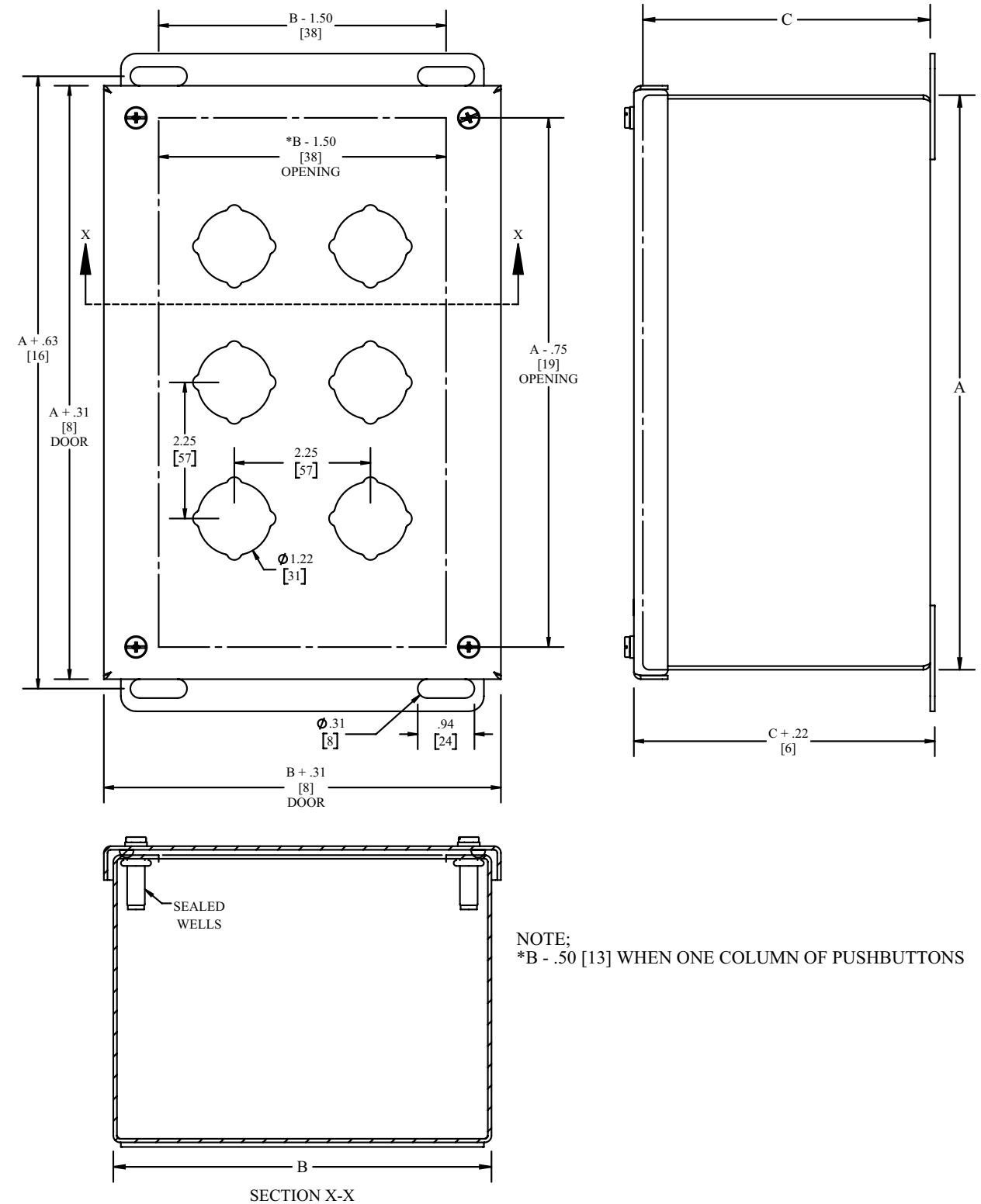
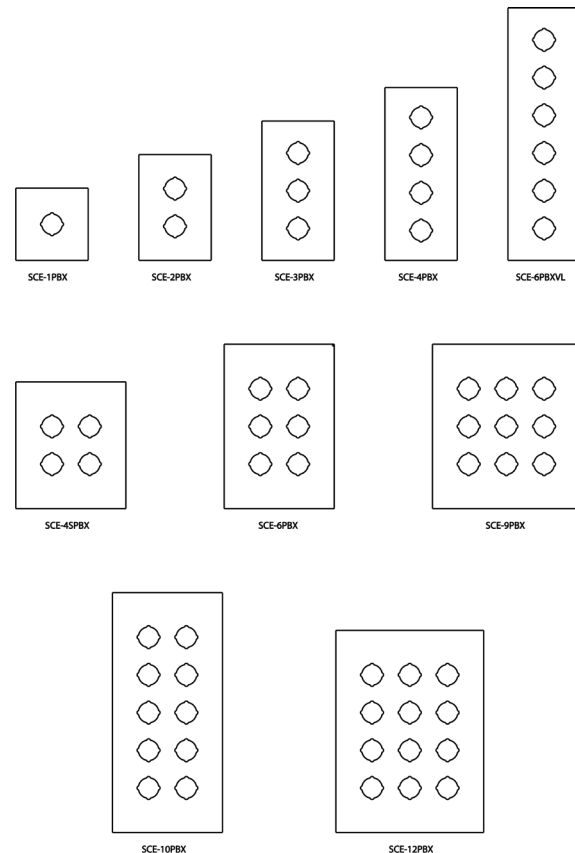


Enclosure Product Code A1

Catalog No.	Height (A)	Width (B)	Depth (C)	Industry Standard
SCE-1PBX	4.00	4.00	4.75	IS2
SCE-2PBX	6.00	4.00	4.75	IS2
SCE-3PBX	8.00	4.00	4.75	IS2
SCE-4PBX	10.00	4.00	4.75	IS2
SCE-4SPBX	7.25	6.25	4.75	IS2
SCE-6PBX	9.50	6.25	4.75	IS2
SCE-6PBXVL	14.75	4.00	4.75	IS2
SCE-9PBX	9.50	8.50	4.75	IS2
SCE-10PBX	14.00	6.25	4.75	IS2
SCE-12PBX	11.75	8.50	4.75	IS2

SAFETY YELLOW

Catalog No.	Height (A)	Width (B)	Depth (C)	Industry Standard
SCE-1PBX-RAL1018	4.00	4.00	4.75	IS2
SCE-2PBX-RAL1018	6.00	4.00	4.75	IS2
SCE-3PBX-RAL1018	8.00	4.00	4.75	IS2
SCE-4PBX-RAL1018	10.00	4.00	4.75	IS2
SCE-4SPBX-RAL1018	7.25	6.25	4.75	IS2
SCE-5PBX-RAL1018	12.00	4.00	4.75	IS2
SCE-6PBX-RAL1018	9.50	6.25	4.75	IS2



NOTE;
*B - .50 [13] WHEN ONE COLUMN OF PUSHBUTTONS